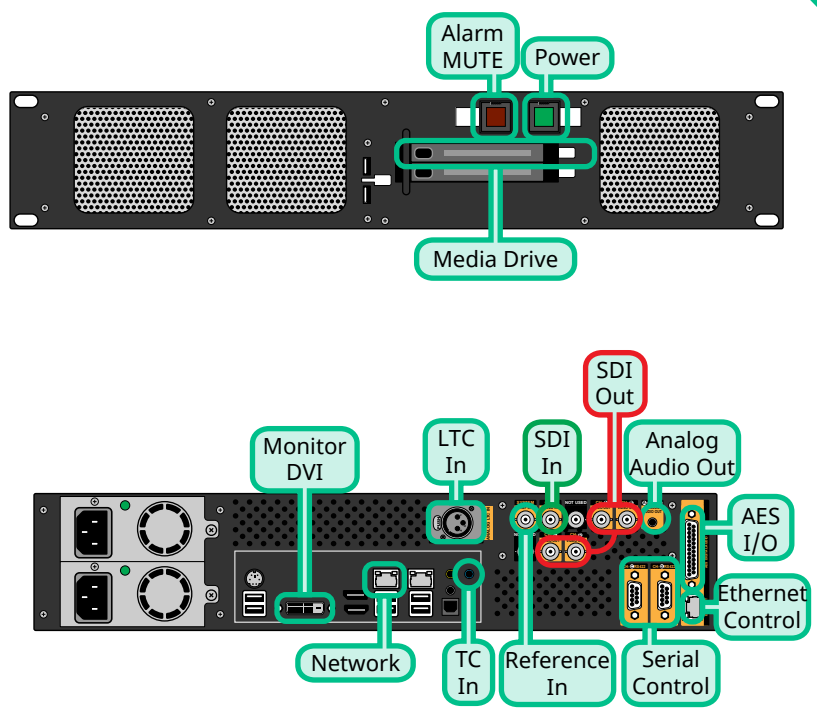


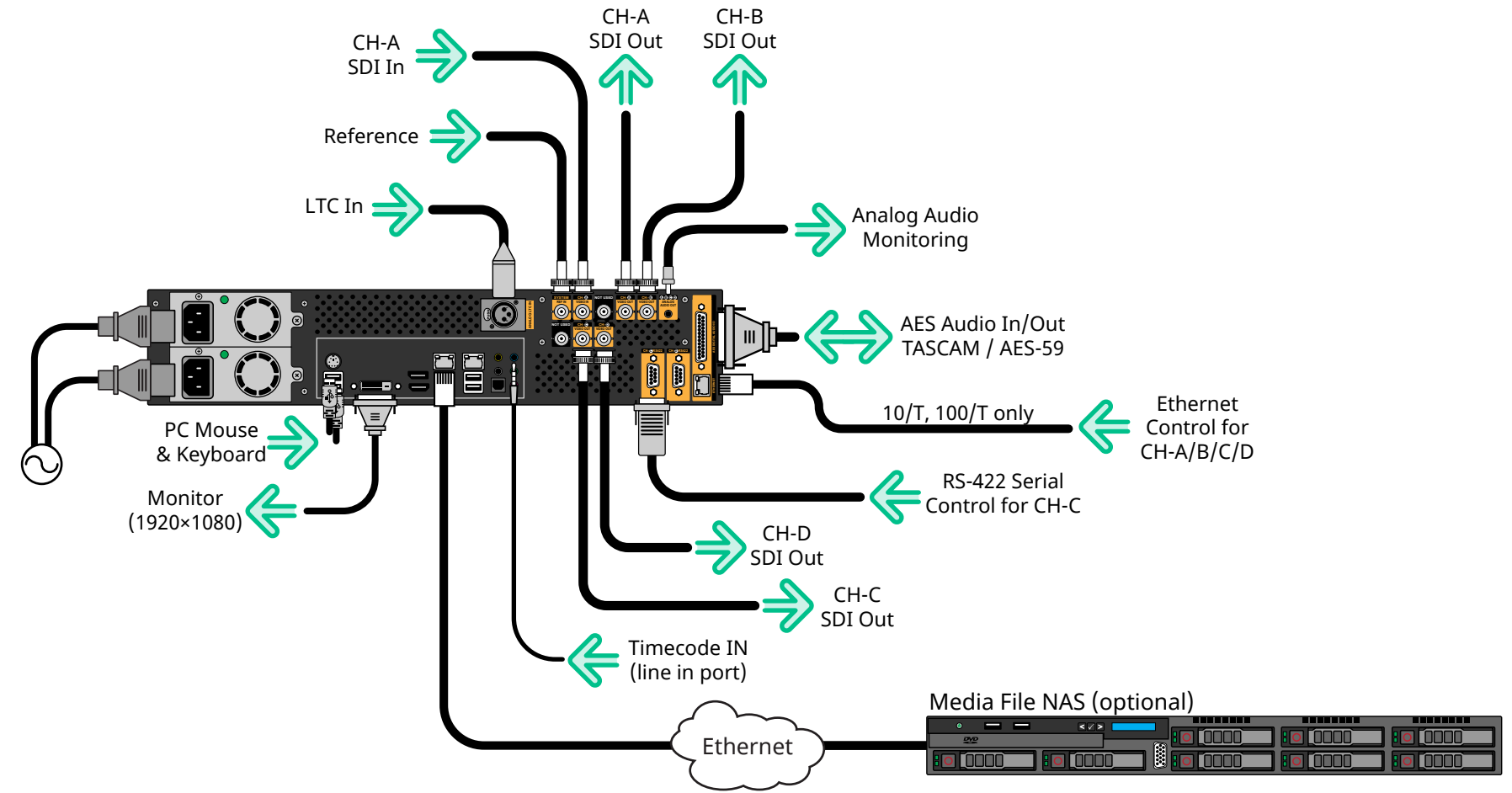
**Caution:** Before you set up and operate your server, see the "Important Safety Instructions" in your User manual.

# Installation and Cabling

## Ports and Connectors



## Power and Control Cabling



- Notes:**
- Only Channel A can record.
  - If you are recording from, or playing into, an external device you must have all devices connected to the same reference signal to ensure proper timing.
  - The Ethernet Control port only supports 10/T or 100/T speeds and is intended for remote control only.
  - The TC In (LINE IN) audio port is used for TC Chase.

RS422 (DB9)	
Pin	Signal
1	Gnd
2	Tx-
3	Rx+
4	Rx Gnd
5	n/c
6	Tx Gnd
7	Tx+
8	Rx-
9	n/c

**Note:** It is recommended that you always connect the AC Power Adapter to the device before connecting to Mains Power.

## Specifications

SDI Video Formats	
525i (480i)	59.94Hz
625i (576i)	50Hz
720p	60Hz
720p	59.94Hz
1080i	59.94Hz
1080i	50Hz

Default Passwords	
Windows	Abekas
Administrator	multiflex

Input Voltages	
100 to 240V~	
3 to 1.5A	
60 to 50Hz	

Operating Environment	
Temperature:	20 - 35°C (68 - 95°F)
Humidity:	20 - 80%

Video/Audio Input Specifications	
Video Inputs, HD-SDI	SMPTE 292M 10-bit at 1.5Gb/s
Video Inputs, SD-SDI	SMPTE 259M 10-bit at 270Mb/s
Embedded Audio, HD-SDI	8 Tracks, 48kHz at 24-bit
Embedded Audio, SD-SDI	4 Tracks, 48kHz at 20-bit
AES Discrete Audio	8 Tracks AES59-2012/TASCAM Digital
Reference Input	Tri-Level HD or Composite Analog SD; Terminating
Native Codec	DVCRO-HD @ 50Mb/s or 100Mb/s

Video/Audio Output Specifications	
Video Outputs, HD-SDI	SMPTE 292M 10-bit at 1.5Gb/s
Video Outputs, SD-SDI	SMPTE 259M 10-bit at 270Mb/s
Embedded Audio, HD-SDI	8 Tracks, 48kHz at 24-bit
Embedded Audio, SD-SDI	4 Tracks, 48kHz at 20-bit
AES Audio	8 Tracks AES59-2012/TASCAM Digital
Analog Audio Monitoring	3.5mm headphone connector, unbalanced, line-level at -10dBv, 2 Tracks (1 stereo pair), user selectable to monitor any out
Native Codec	DVCPRO-HD @ 50Mb/s or 100Mb/s

